



**AUTOMATED  
METER READING**

Allied Power | 奥华  
We Empower Your Business



# COMlog

## Data Logger

COMlog provides businesses, asset managers and service providers with a cost-effective way to manage energy consumption, reduce energy costs and cut carbon emissions.

With more than one hundred thousand data loggers in operation worldwide, HWM is a market leader in the design, manufacture and supply of GSM/GPRS data logging solutions for smart metering in water and energy.



### Key Features and Benefits

- **Excellent value:** Highly cost effective and reliable
- **Accessible data:** Near real time data at low cost
- **Flexible alarm modes:** High Flow, Low Flow and Profile Alarms
- **Easy software integration:** Designed for easy Integration into 3rd Party software applications via Datagate API
- **Online data viewing:** HWM Online web viewing package
- **Long term monitoring:** Typical 5 year battery life
- **Reliable, flexible communications:** Range of specialist external antennas available
- **Over the air upgrade/programming:** Ensuring future compatibility without the cost of a site visit
- **Responsive:** Accelerated dial in on alarm

### Applications

COMlog is compatible with any meter that has a volt-free pulsed output and uses accumulative pulse counting technology to calculate index readings against a known volume.

This innovative logger uses the latest integral GPRS technology to provide rapid data transmission at low cost. Low power electronics enable the long battery life to be maintained even with increased transmission rates.

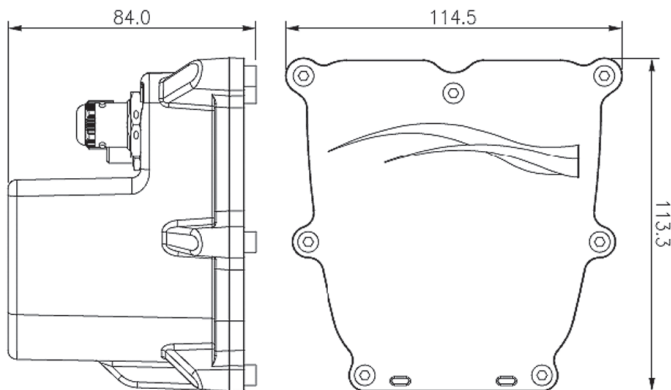
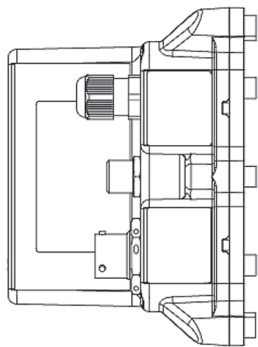
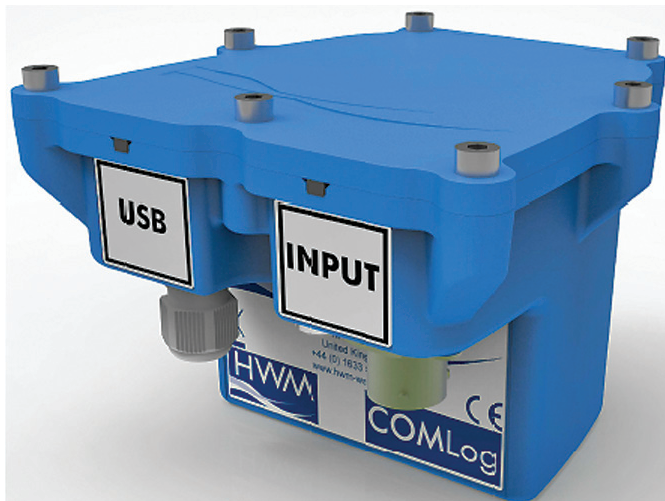
The replaceable internal batteries will typically power the device for over five years when data is transmitted every eight hours.

COMlog is also supplied with an external antenna connection that enables the use of a range of specialist antennas to address the most extreme low signal level locations.

MONITORING ASSETS, DELIVERING DATA, BRINGING CONTROL

# COMlog

## Data Logger



### Logger Features

Memory	Primary recording 2 million readings. Variable sample rate 1 sec to 24hrs (please note that this may affect battery life and communications cost).
Alarms	Lower/Upper Limit, Min Night Flow, Rate Of Change, Channel Difference, In/Out of Band alarm types. 6 programmable conditions sets available sending SMS alarm message to a mobile phone.
Logger ID	Up to 7 alphanumeric characters. Also readable factory set serial number in firmware.
Clock	On board 24 hour real time clock with date facility.
Internal Cellular modem	GPRS to HWM DataGate or customer specific data server, multiple messages per day. Quad band modem supplying 850/900/1800/1900MHz bands 3G Compatible modem supporting 850 900 AWS 1700,1900, 2100.
Dimensions	84mm x 114.5mm x 113.3mm
Construction	Tough ABS plastic enclosure (colour Blue).
Weight	570g
Operating Temp	-20 to +70°C (-5 to +160°F)
Ingress protection	IP68 submersible
Power	Lithium Thionyl-Chloride cell operational for 5 years under standard operating conditions, complete with low battery alarm

### Sensor Input options

Digital	One or two bi-directional pulse input Reed switch contact closure type or other pulse input Up to 64 pulses per second.
---------	---



All Images, text and designs are protected by international and UK copy write law, and remain the property of HWM. It is against the law to copy or use any of the content from HWM website or literature without the written consent of HWM. HWM Ltd. reserve the right to vary the specification. **Issue 1. 03:2017**

### Allied Power Technology Limited

Unit B, 11/F Long To Building  
654-656 Castle Peak Road  
Lai Chi Kok, Kowloon, Hong Kong

Tel: +852 3746 9033  
Fax: +852 852 2120 8765  
Email: [contact@alliedpower.com.hk](mailto:contact@alliedpower.com.hk)

MONITORING ASSETS, DELIVERING DATA, BRINGING CONTROL

[www.alliedpower.com.hk](http://www.alliedpower.com.hk)

Allied Power | 奥华  
We Empower Your Business