



CLEAN WATER

Allied Power | 奥华
We Empower Your Business



Permalog + Noise Logger

Permalog+ enables users to quickly and efficiently locate leaks in the water network. Loggers are deployed in areas of the distribution system to provide continuous monitoring of leakage.

The new Permalog+ includes new Aqualog extended logging functionality, where noise is recorded at pre-set intervals over an extended period of time, giving more detail in difficult situations.

The logger can store up to twenty-nine days of level and spread history, the noise trends identified can then be presented in graph format (in Aqualog mode), enabling the user to distinguish clearly between leak and non-leak noise.



Key Features and Benefits

- **Automates leak surveying:** - Eliminating human error and finding leaks that could otherwise be missed
- **Rapid deployment:** Loggers can be quickly deployed and used repeatedly with no disruption to the surrounding area.
- **Low cost:** Battery replaceable and rugged construction enable long term low leakage levels to be maintained
- **Flexible deployment options:** Permanent or semi-permanent (as required by area)
- **Rapid response:** Responds rapidly to new mains bursts, improving service to customers
- **Non-invasive:** No detrimental effects on supply to consumers

Applications

The highly versatile logger has user changeable plastic/metallic alarm threshold settings and allows data to be accessed via:

- **Lift and Shift:** Loggers are removed from the ground and the data is manually retrieved via a simple swipe of the logger.
- **Patroller "Drive By":** Data is transmitted via radio to a moving patrol vehicle using a Patroller.

MONITORING ASSETS, DELIVERING DATA, BRINGING CONTROL

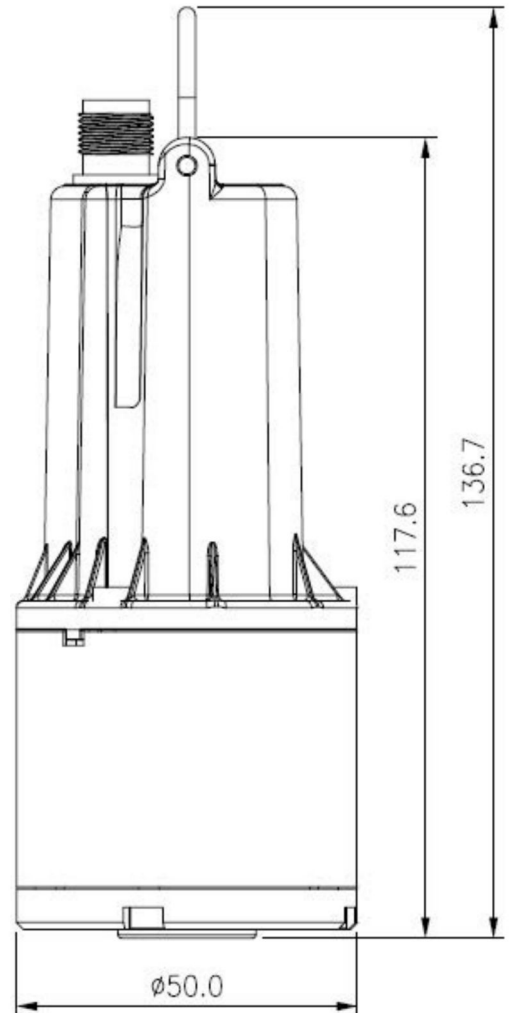
www.alliedpower.com.hk

Allied Power | 奥华
We Empower Your Business

Permalog + Noise Logger

Logger Features

Dimensions (with aerial)	Market Dependant: Varying Sizes for Aerial Used
Dimensions (without aerial)	136.7H x 50W x 50D mm (5.3"H x 1.9"W x 1.9"D)
Angle fittings available	123mm, width: 50mm width
Weight	700 grams
Type of Battery	Lithium/replaceable
Battery Life	Typically 5 years depending on mode of operation
IP Rating	IP68
Parameters	User Programmable



All Images, text and designs are protected by international and UK copy write law, and remain the property of HWM. It is against the law to copy or use any of the content from HWM website or literature without the written consent of HWM. HWM Ltd. reserve the right to vary the specification. **Issue 1. 01:2017**

Allied Power Technology Limited

Unit B, 11/F Long To Building
654-656 Castle Peak Road
Lai Chi Kok, Kowloon, Hong Kong

Tel: +852 3746 9033
Fax: +852 852 2120 8765
Email: contact@alliedpower.com.hk

MONITORING ASSETS, DELIVERING DATA, BRINGING CONTROL

www.alliedpower.com.hk

Allied Power
We Empower Your Business

奥
华